
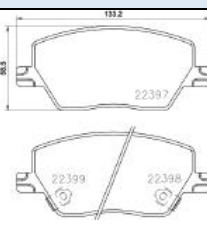
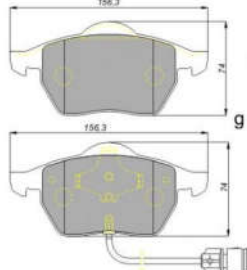
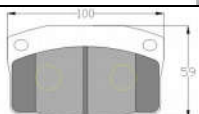

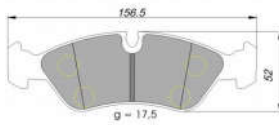
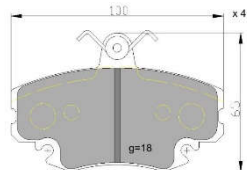
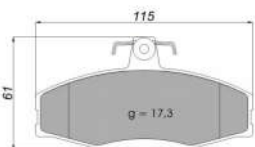
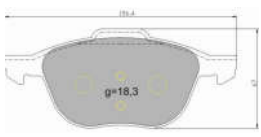

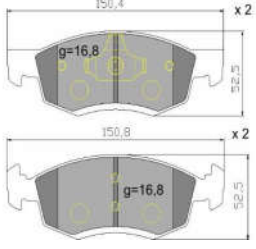
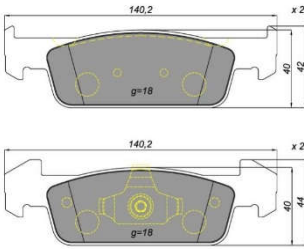
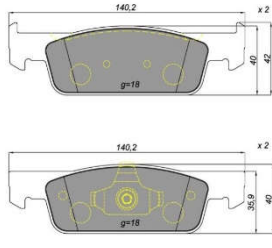
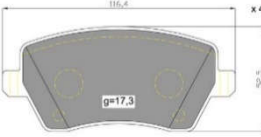


## LISTĂ REFERINȚE PLĂCUȚE DE FRÂNĂ AUTOMOBILE

NR	Referinta Fermit /	WVA echivalent	Tipul vehiculului/Dimensiuni (L x l x g)mm	Schita reper
1	<b>FER.G 22397</b> <b>FA30900038</b> 	22397;22398 22399 OE 77367628 OE 77367910	<u>Fata:</u> Fiat Tipo Saloon, Hatchback,Estate .3D,1.4,1.6, fabricatie 2015-prezent  140,2 x 42,0x18mm	
2	<b>FER.G 20676</b> <b>(21938)</b> FA30905280	20676, 20678, 21938, 1939, 23018, 3019, 21911, 3392	Fata : VW Passat , Bora , Skoda Fabia , Skoda Avia , Suberb , VW Golf III , IV , V, Audi A2 , A3 , A4 , AUDI A6  156,3 x 74,0 x 19,6	
3	<b>FER.G 20939</b> FA30904155	20939	Fata :Cielo ; Opel Ascona, Corsa A, Kadett D,E  100,0 x 59,0 x 15,0	
4	<b>FER.G 20960A</b> FA30905286	20960, 20961, 23554, 23301,	<b>Sparte</b> : SKODA FABIA, VW PASSAT, JETTA, POLO, VENTO, GOLF AUDI A4 , PEUGEOT 405, <b>RENAULT CLIO III, IV,</b> <b>MEGANE I,II,III, FLUENCE</b> 87,0 x 53,0 x 17,0	
5	<b>FER.G 21201</b> FA30901815	21201, 21190, 21192, 21862	<b>Fata</b> : Daewoo Espero, Lanos, Nexia , Opel Astra F, Calibra A, Kadett E, Omega A, Vectra A  156,5 x 52,0 x 17,5	
6	<b>FER.G 21463</b> FA30901976 ( 4buc placute) <b>FER.G 21463 SR</b> FA30901986 ( 4 buc placute+2 suruburi+2 sesizori) <b>FER.G 21463 SRC</b> FA30901993 ( 4 buc placute+4 suruburi+4 lamele fixare etrier)	21463	<b>FATA:</b> <b>DACIA LOGAN 1.4</b> LSOA,LSOC,LSOE,LSOG), 1.5 dCi(LSOJ,LSOY);1.5dCi(LSO K), 1.6 (LSOB, LSOD,LSOF)1.6 16V (LSOH); Fabricatie 2004- prezent <b>DACIA SANDERO 1.2 16V,</b> 1.5dCi,1.6. Fabricatie :2008- prezent <b>RENAULT SYMBOL I,II, CLIO</b> <b>I,II, TWINGO I,II, MEGANE I</b> 100 x 65 x 18	
7	<b>FER.G 21662</b> FA30905215	21662, 20652 21634, 23176	<b>Fata</b> : Felicia I-II 1.3, 1.6, 1.9D 1994-2000  <b>115,0 x 61,0 x 17,3</b>	

8	<b>FER.G 21974</b> FA30904642	21974,23130 23131, 23187,23188	Fata: SKODA OCTAVIA , VW BORA, GOLF IV, SEAT Toledo II  146,0 x 55,0 x 18,5	
9	<b>FER.G 23052A</b> FA30905360	23052, 23053, 23054, 23055, 23258,	Spate: OPEL Astra G (F07, F35, F48, F69, F70), OPEL Zafira 1,6 ;1,8; 2,0 (F75) Fabricatie 1998-2005  104,8 x 42,6 x 17,0	
10	<b>FER.G 23057</b> FA30900028	23057, 23056, 23058, 23059, 23060,	Fata: OPEL Astra G (F07, F35, F48, F69, F70), Fabricatie 2002-2005 OPEL Zafira 1,6 ;1,8; 2,0 Fabricatie incepand cu 2000.  156,3 x 78 x 20,0	
11	<b>FER.G 1127</b> FA30903206	23061	Fata: Tico  108,5 x 38,8 x 14,0	
12	<b>FER.G 23063</b> FA30905375	23063, 23064, 23066, 23067	Fata: OPEL Astra G (F07, F35, F48, F69, F70), OPEL Zafira 1,6 ;1,8; 2,0 (F75), OPEL Vauxhall MK  177,6 x 62,0 x 17,7	
13	<b>FER.G 23123</b> FA30905345	23123, 23115, 23116, 23122, 23798,	Fata: OPEL Astra G fabricateie 2004 -), Combi (1997 -), OPEL Zafira - Fabricatie 2002-2005  156,3 x 74,0 x 19,5	
14	<b>FER.G 96.582</b> FA30903185	<b>23241</b>	Fata: Matiz, Chevrolet Spark, Daewoo Lanos  127,0 x 18,1 x 16,0	
15	<b>FER.G 23440</b> FA30900021	23440, 23441	Fata: FORD FOCUS 2004-2004 ST150, ST170; TOURNEO CONNECT 2002 1.8 16V, 1.8 Di, 1.8 TDCI, 1.8 Turbo Di 156,4 x 67,0 x 17,6	
16	<b>FER.G 23417</b> FA30905340	23417, 23415, 23416, 23655,	Spate: OPEL Astra G(F07;F35;F48;F69) fabricatie 2002-2005 OPEL ZAFIRA – fabricatie 2000- 95,5 x 42,8 x 15,2	
17	<b>FER.G 23604</b> FA30900026	23604, 23202, 23203	Fata: FORD Fiesta IV (1996-2002), V(2001- ); FISION (2002 -); PUMA (1997 - ); MAZDA 2 (2003-)  150,1 x 61,0 x 18,2	

18	<b>FER.G 23723</b> FA 30900024	23723,23724	Fata : FORD FOCUS C-MAX,1,6TDCI, 1,8 TDCI, II 1,4-2.0, MAZDA 3 1,4 -2,0; Volvo C30,C70,C40,V50  156,4 x 67,0 x 18,3	
19	<b>FER.G 23832</b> FA30905355	23832, 23833, 23844	Fata: OPEL Astra H- fabricatie 2004 – OPEL CORSA – fabricatie 2007- OPEL ZAFIRA –fabricatie 2005- 155,3 x 69,7 x 20,5	
20	<b>FER.G 23842</b> FA 30900035	20907,24673	<b>FATA:</b> <b>DACIA LOGAN MCV (KS)1.4,1.5dCi(KSOK,KSOW) ,1.6, 1.616V</b> <b>DACIA LOGAN PICK-UP (US_) 1.5dCi (USOK) ,1.5dCi (USOW),1.6</b> <b>Fabricatie&gt; 2007</b> <b>DACIA LOGAN I ESTATE 1,4, 1.5dCi, 1.6</b> 150,4/150,8 x 52,5 x 18,0	
21	<b>FER.G 25728 -25738</b> FA30900047	25728 (25702) 25738	<b>FATA :</b> <b>DACIA LOGAN II 1.2,1,6 16v-fabricatie&gt; 2012</b> <b>DACIA LOGAN MCV II 1.2, 1.6- fabricatie&gt; 2013</b> <b>DACIA SANDERO II 1.2, 1.6-fabricatie&gt; 2013</b> <b>RENAULT CLIO IV 1.2, 1.5 dCi</b> 140,2 x 40,0 x 18,0 140,2 x 44 x 18,0	
22	<b>FER.G 25728 (25702) -25703</b> FA30900048	25728 (25702) 25703	<b>FATA:</b> <b>DACIA LOGAN II 1.2, 1.6,1,5dCi – fabricatie &gt;2012</b> <b>DACIA LOGAN MCV II 1.2, 1.5 dCi- fabricatie &gt;2013</b> <b>DACIA SANDERO 1.2, 1.5dCi – fabricatie &gt;2013</b> <b>RENAULT CLIO IV 1.2, 1.5 dCi</b> 140,2 x 44,0 x 18,0 140,2 x 40,0 x 18,0	
23	<b>FER.G 23973</b> FA30901965	23973	<b>FATA:</b> <b>DACIA DUSTER 1.6, 1.5dCi, 1.5dCi 4x4 –Fabricatie &gt;2010</b> <b>DACIA DOKKER 1.2 TCe,1.6, 1.5 dCi- Fabricatie &gt;2012</b> <b>DACIA - LOGAN MCV (KS_) 1.4, 1.6, 1.5dCi – fabricatie &gt;2007</b> <b>DACIA - LOGAN Pickup (US_) 1.5dCi – fabricatie &gt;2008</b> <b>DACIA LODGY 1.6, 1.5 dCi – fabricatie 2012</b> <b>DACIA SANDERO Hatchback 1.5 dCi – fabricatie &gt;2010</b> <b>KANGOO II, EXPRESS</b> <b>RENAULI CLIO III, IV, , MODUS, MEGANE IV</b> 156,4 x 67,0 x 18,3	

24	<b>FER.G 23974</b> FA30905210	23974	<b>Punte fata:</b> CHEVROLET KALOS , CHEVROLET AVEO 1,2, DAEWOO KALOS  133,0 x 49 x 17,8	
25	<b>NOU</b> <b>FER.G 24538</b> ( 24914) <b>FA30900073</b>	24538 24914	<b>FATA:</b> <b>DACIA DUSTER</b> <b>1.2Tce, 1.6 16V, 1.5</b> <b>dCi fabricatie &gt;2010</b> <b>DACIA DOKKER</b> <b>1.2Tce, 1.6 16V, 1.5</b> <b>dCi fabricatie&gt;2012</b>  155,2 x 64,6 x 18 155,1 x 59,5 x 18	

Plăcuțele de frână se livrează în set de 4 bucăți,

## SABOȚI DE FRÂNĂ – DISCURI DE AMBREIAJ ASAMBLATE DACIA - RENAULT

Nr. Crt	Reper FERMIT cod Fermit	UM	Descriere reper/ tip autovehicul
<b>Saboți de frână</b>			
1	<b>FER.S22.235S2.2</b> <b>FA35001225</b>  Ø 203,2 mm, latime 38 mm	Set 4 buc	<b>SABOTI FRANA</b> DACIA LOGAN (LS_) 1.2 16V,1.4(LSOA, LSOC ,LSOE, LSOG), 1.5 dCi (LSOJ ,LSOY ,LSOK ,LSOW), 1.6 ,(LSOB,LSOD,LSOF,LSOW), 1.6 16V ( Fabricatie >2004) DACIA SANDERO 1.2 16V,1.4,1.4MPI LPG,1.5dCi,1.6 ( Fabricatie >2008);RENAULT CLIO II, SYMBOL I, TWINGO I
2	<b>FER.S 22.240S2.2</b> <b>FA35001226</b>  Ø 228,6 mm, latime 42 mm	Set 4 buc	<b>SABOTI FRANA</b> DACIA LOGAN II 1.2șDACIA LOGAN MCV (KS_)1.5dCi, 1.5dCi (KS04 ,KSOK),(Fabricatie > 2007)șDACIA LOGAN PICK-UP (US_)1.5dCi, 1.6MPI85 (Fabricatie > 2008) DACIA SANDERO1.5dCi (Fabricatie> 2008) DACIA DUSTER 1.5 dCi, 1.6dCi, 1.6 16V Fabricatie 2010 RENAULT CLIO IV, RENAULT KANGOO EXPRESS
<b>Discuri de ambreiaj asamblate</b>			
1	FER. DA 22.180 FA 35002650 <b>181,5x127x6,8 mm (Ø ext x Ø int x grosime); 12 gauri; 6 arcuri, 26 dinti</b>	buc	<b>DISC DE AMBREIAJ ASAMBLAT Ø180</b> DACIA LOGAN 1.4(LS_);SOA,LSOC,LSOE,LSOG) DACIA LOGAN MCV KS 1.4;DACIA SANDERO 1.2 16V,1.4
2	FER. DA 22.200 FA 35002651 <b>200x137x6,8 mm (Ø ext x Ø int x grosime) 12 gauri; 6 arcuri; 26 dinti</b>	buc	<b>DISC DE AMBREIAJ ASAMBLAT Ø200</b> DACIA LOGAN 1.6(LSOB,LSOD,LSOF,LSOH);DACIA LOGAN MCV (KS_) 1.6 ;DACIA LOGAN pick-up (US_)1.6

Pentru mai multe detalii tehnice, va rugam să consultați catalogul nostru electronic disponibil pe [www.fermit.ro](http://www.fermit.ro) sau să ne contactați.

**FERMIT SA**  
Echipa Vânzări